

specter

SPECTER STANDARD MODULES
GOBO SNOOT

bold
lighting



GOBO SNOOT

Our Magnetic track system, SPECTER, is a highly configurable, 2 circuits, 24VDC low voltage track system. Thanks to its magnet mounting technology, the modules are inter-changeable instantaneously. Our track is available in ceiling pendant, surface and recessed mounting for both ceiling and walls. SPECTER track is also available with an optional linear uplight feature. The snoot module complements the SPECTER range with a minimalistic cylinder track-head equipped with a wide range of optics and optical accessories allowing professional scenography lighting.

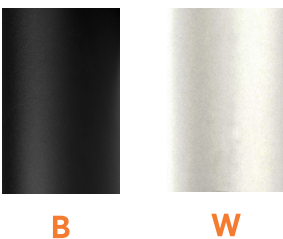
- Diameter 1.5"
- Equipped with a zoom and focus lens as well as framing shutters
- Fixtures designed to mount in SPECTER track
- Available in 2 standard finishes: Black and white
- Gobo Lens Available as an ad-on Accessory

Notes: ¹ Available dimming ELV 0-10V and DALI

Code example: **SPSF-R-15W-Z927-2**

Series	Length		Body Finish		Beam Angle		CRI	Color Temp		Circuit			
SPSF-R	15	1.5"	W	White	Z	20° - 35°	9	+90	27	2700K	1	1-Circuit	
			B	Black					30	3000K		2	2-Circuit
									35	3500K			
									40	4000K			

STANDARD FINISHES



DELIVERED LUMEN OUTPUT

Length	Watts	CRI +90			
		2700K	3000K	3500K	4000K
1.5"	15W	330lm	350lm	370lm	390lm



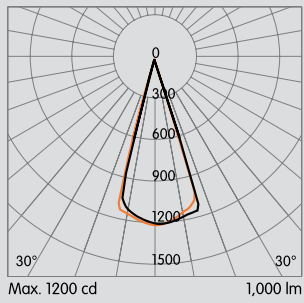
Bold Lighting
4710 Ecton Dr., Marietta, GA 30066, USA
info@boldlighting.us www.boldlighting.us
t: +1-678-903-4061

OPTICAL FLEXIBILITY

Photometric data: Type C Polar Curves

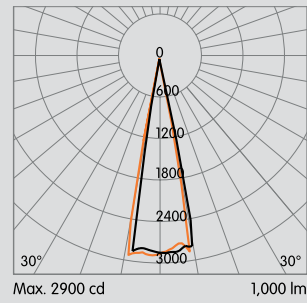
SOFT EDGE BEAM

35° Beam Angle

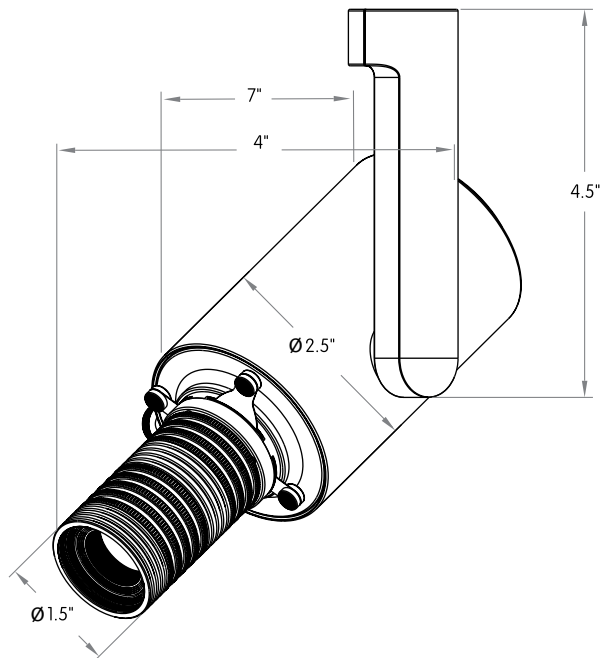


SHARP EDGE BEAM

20° Beam Angle

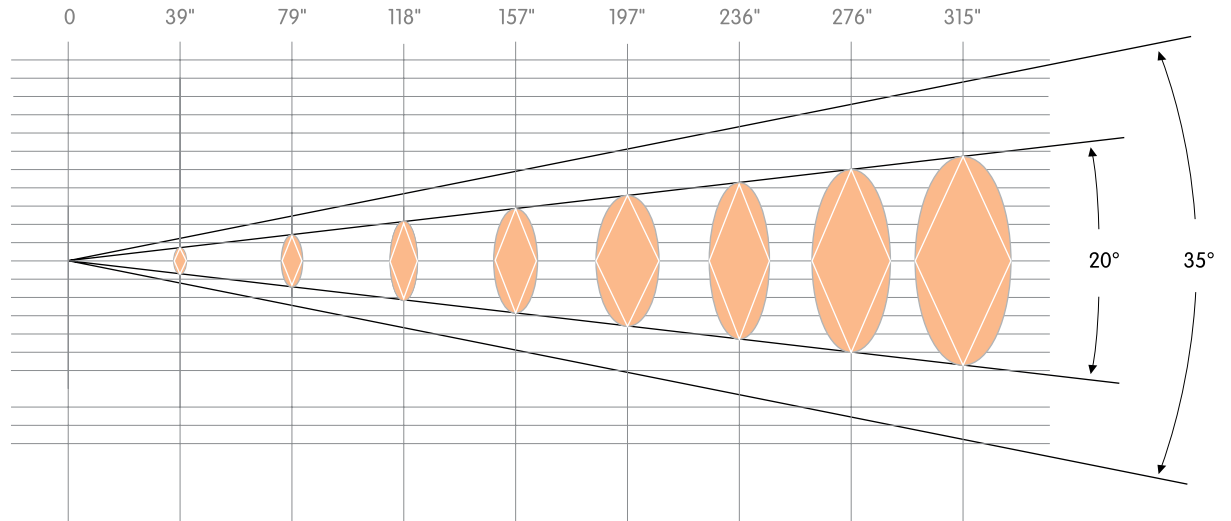


GOBO SNOOT



PROJECTION DISTANCE

Projection Gobo Snoot



20° Circular spot diameter (inch)	0	Ø14"	Ø29"	Ø43"	Ø58"	Ø72"	Ø86"	Ø101"	Ø115"
35° Circular spot diameter (inch)	0	Ø22"	Ø45"	Ø68"	Ø91"	Ø114"	Ø137"	Ø159"	Ø182"